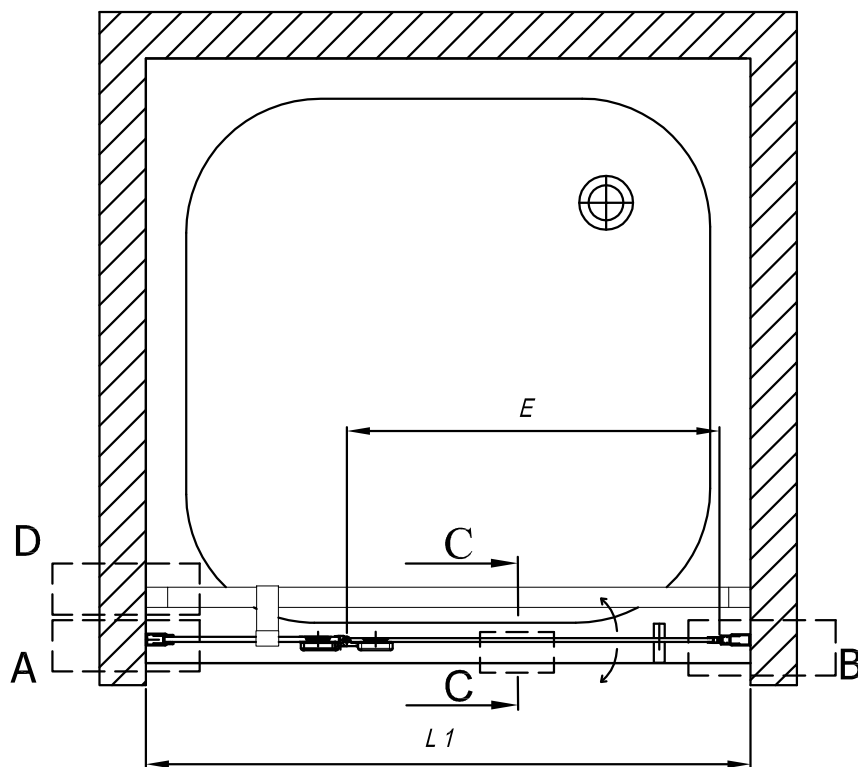


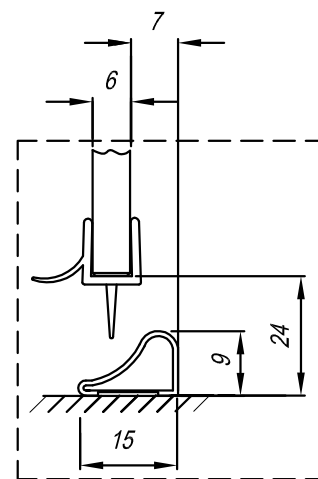
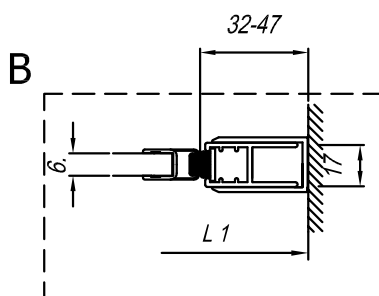
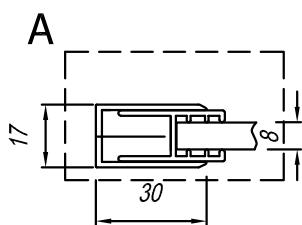
	L 1 (mm)	E (mm)	F (mm)
TV/S 120	1180-1200	550	577-587



A

B

C-C



D

