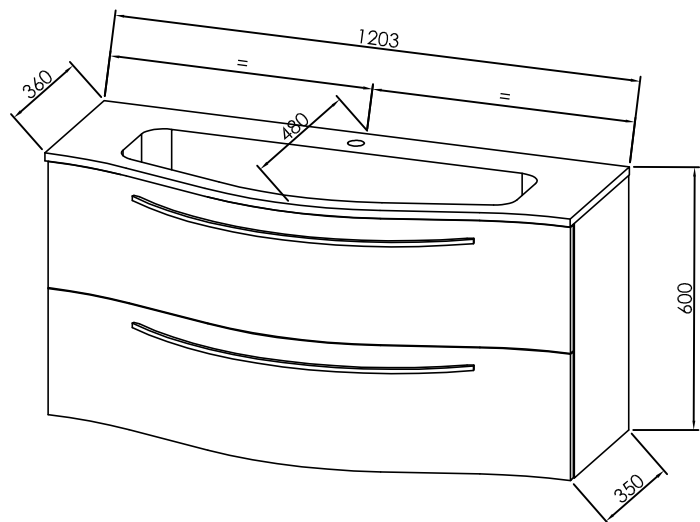
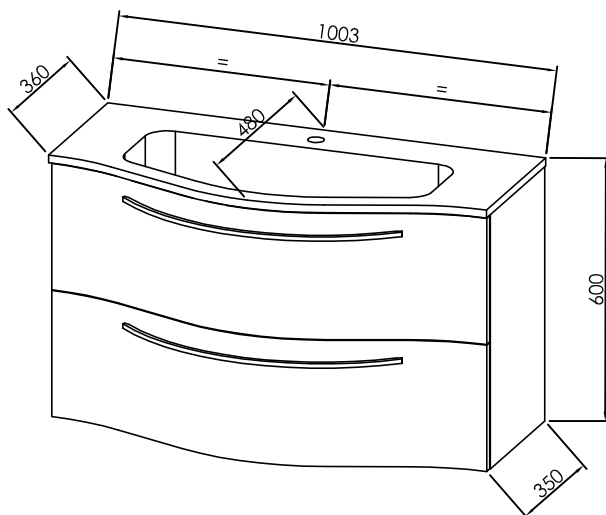
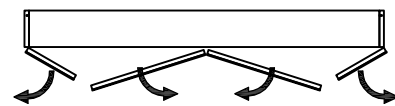
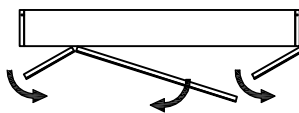
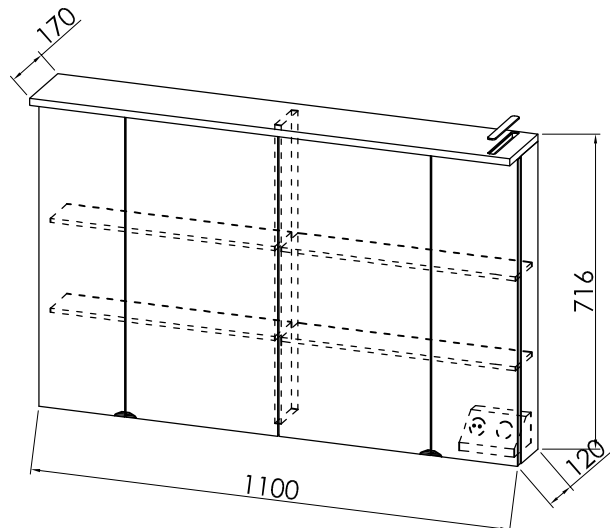
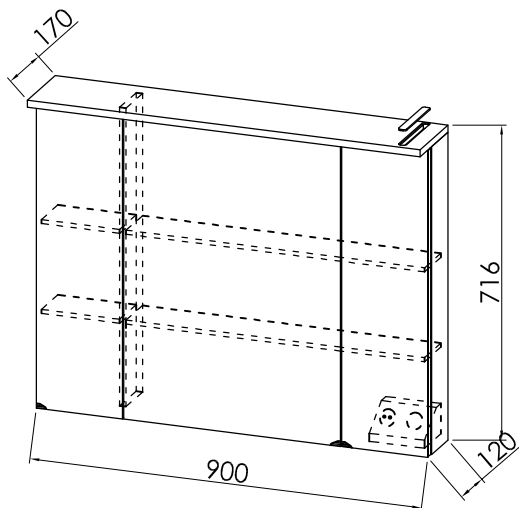


TO 90 WH - LED, SW, S
TO 90 LAR - LED, SW, S
TO 90 DO - LED, SW, S

TO 110 WH - LED, SW, S
TO 110 LAR - LED, SW, S
TO 110 DO - LED, SW, S

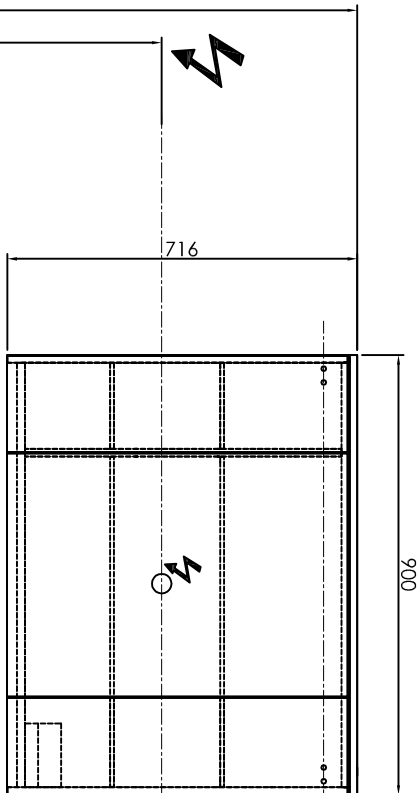


OUN 100 WH
OUN 100 LAR
OUN 100 DO

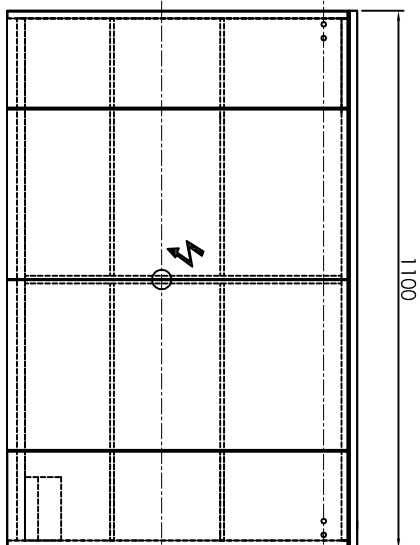
OUN 120 WH
OUN 120 LAR
OUN 120 DO

NAYRA

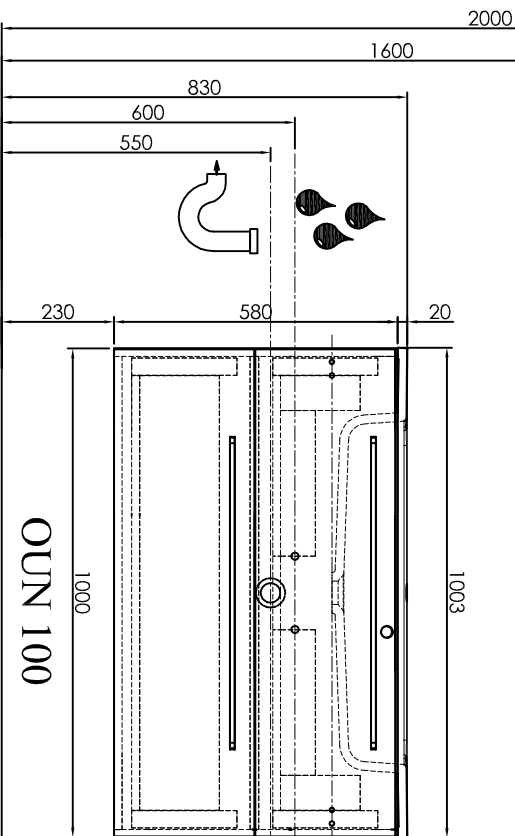
OUN 100 , 120 / TO 90,110



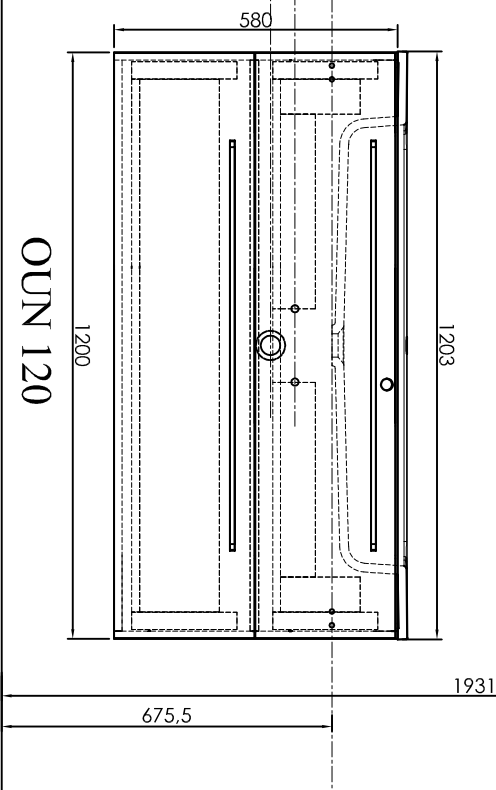
TO 90



TO 110



OUN 100



OUN 120

