

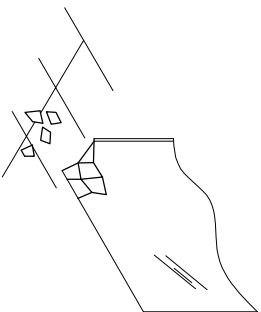
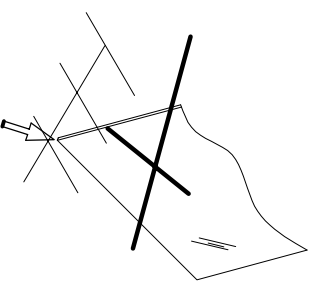
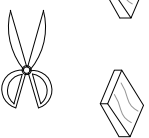
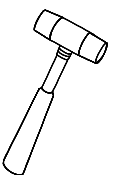
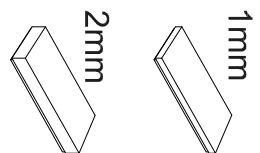
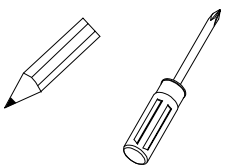
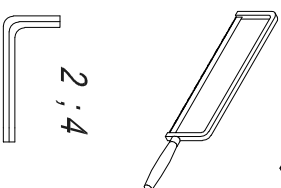
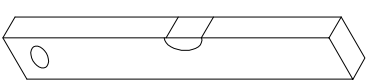
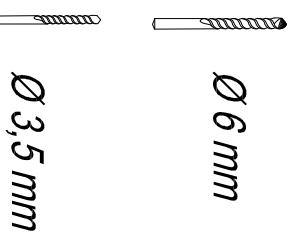
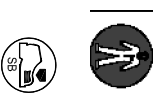
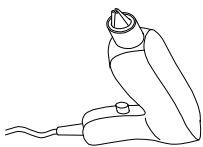
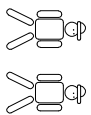
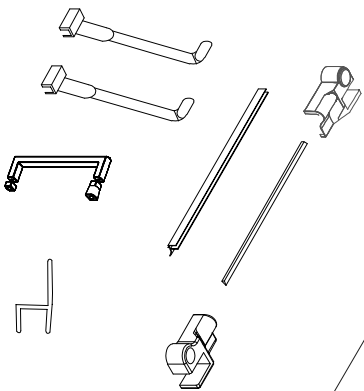
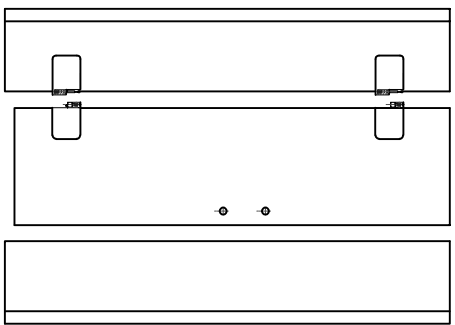
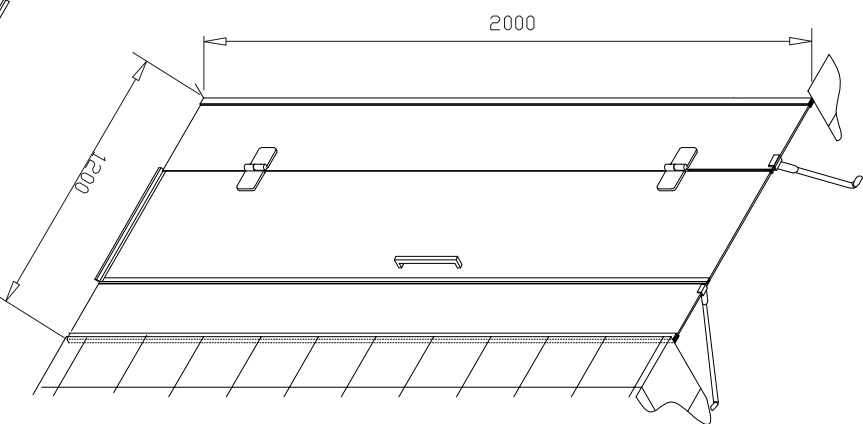
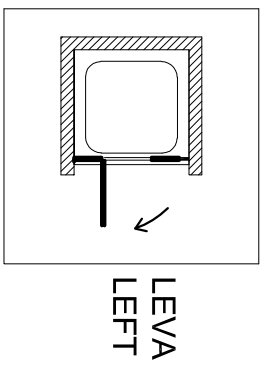
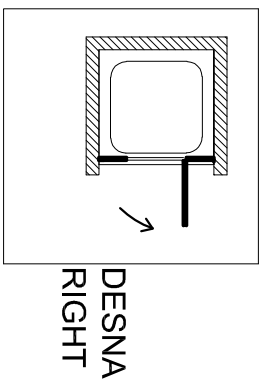
Kolpa·San[®]

by KOLPA

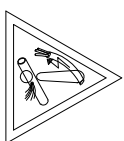
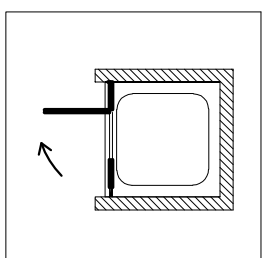
SLO NAVODILO ZA SESTAVO
 HR UPUTSTVO ZA MONTAŽU
 GB MOUNTING INSTRUCTIONS

TVS 120 ATLAS

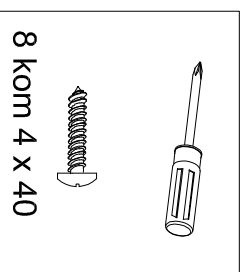
		
TVS 120	1185-1200	2000
		570



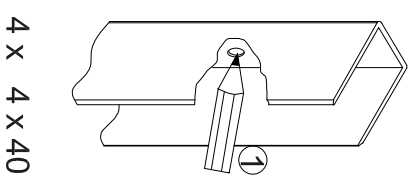
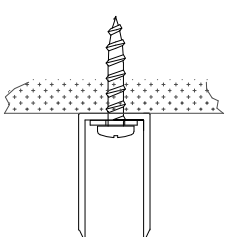
- 1 -



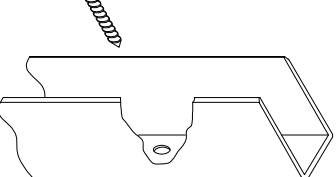
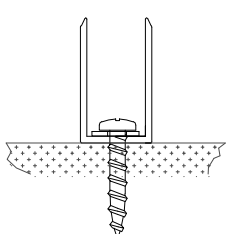
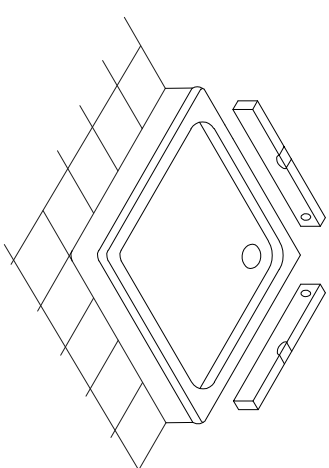
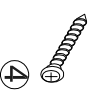
- 2 -



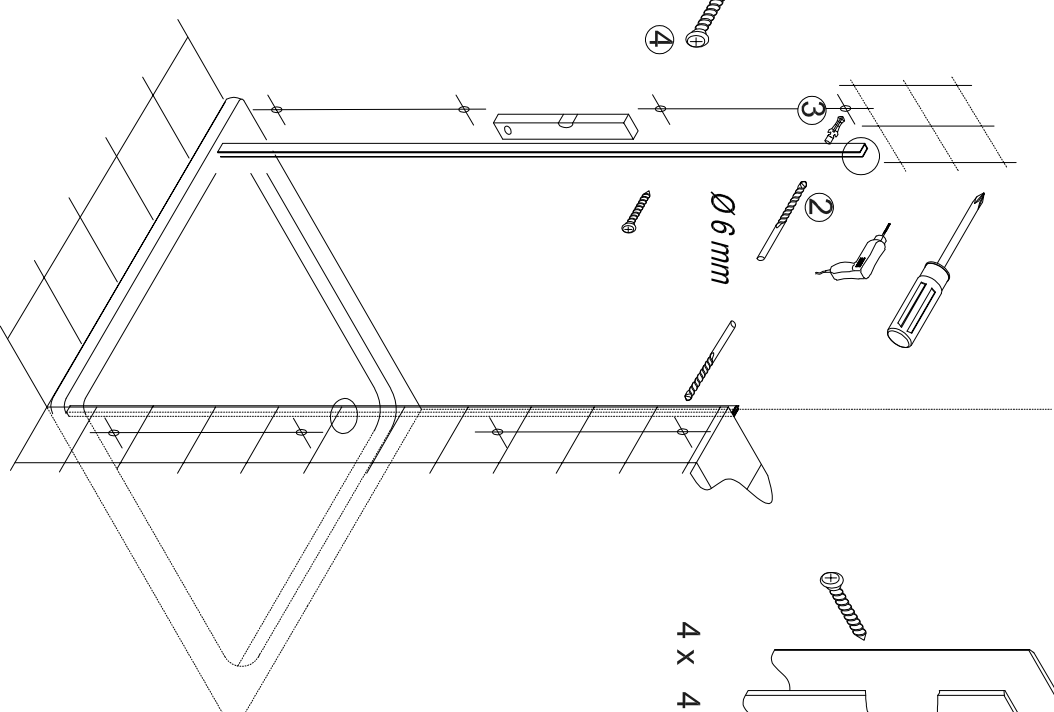
8 kom 4 x 40



4 x 4 x 40



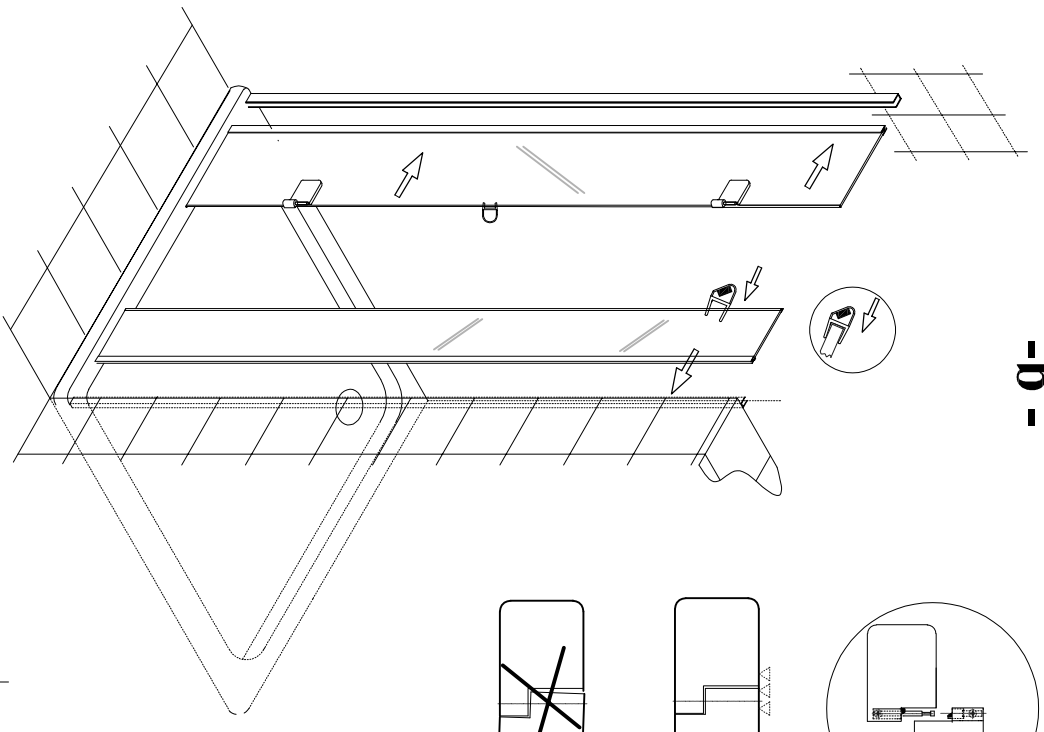
4 x 4 x 40



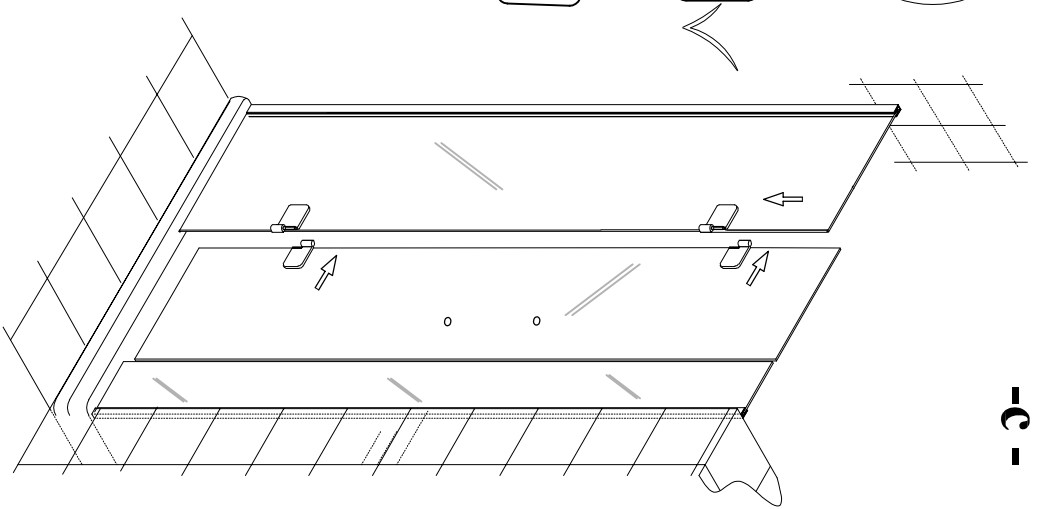
Ø 6 mm

- 2 -

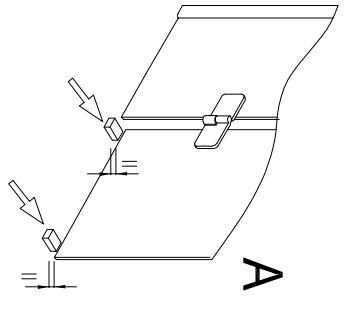
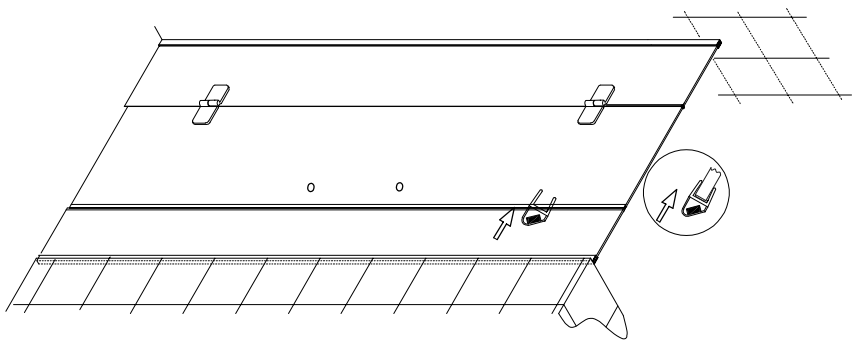
-b-



-c-

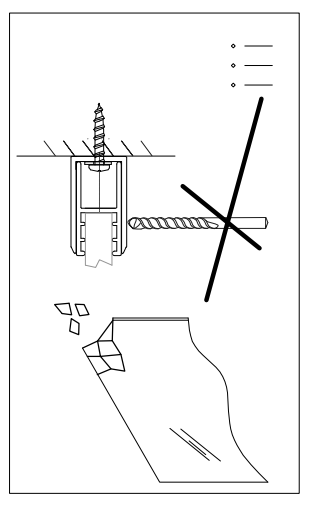
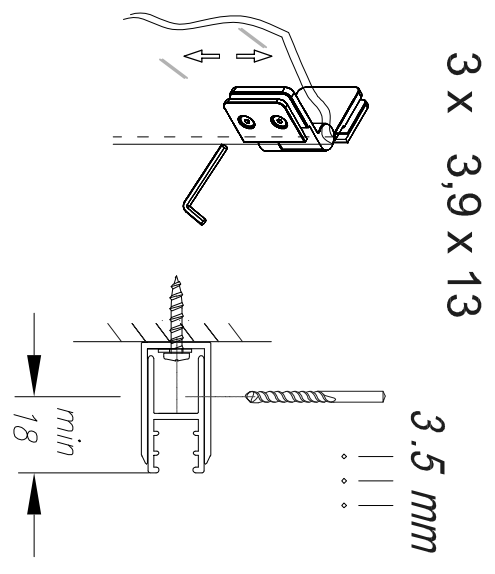
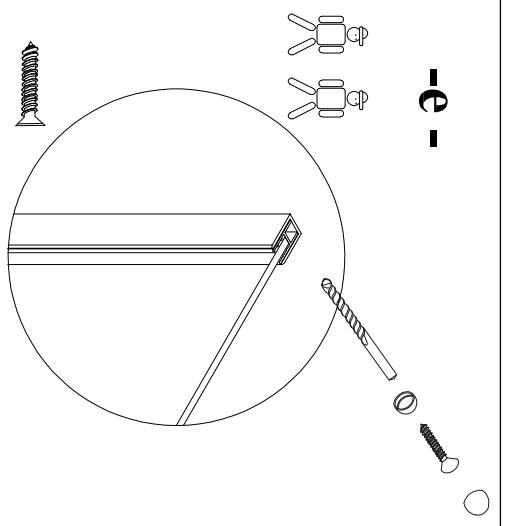


-d-

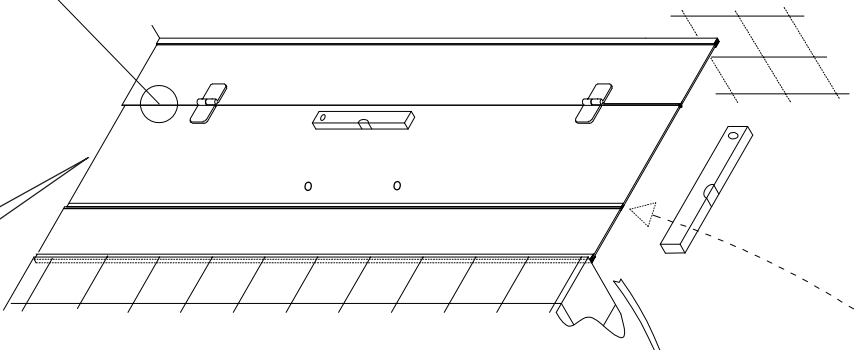
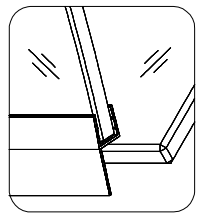
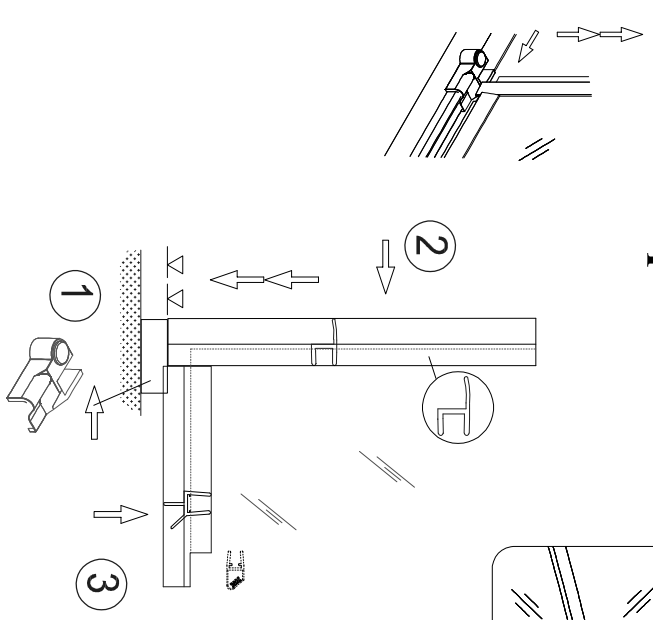


-3-

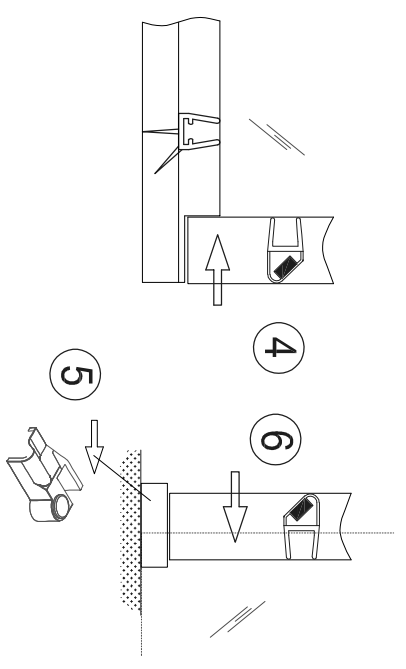
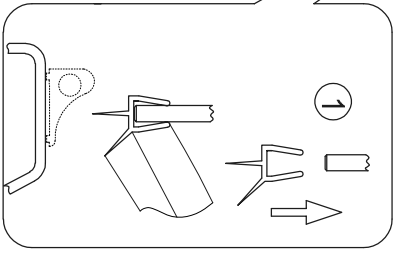
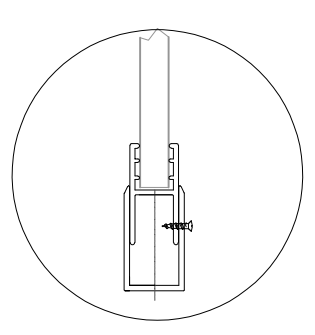
-e-



-f-

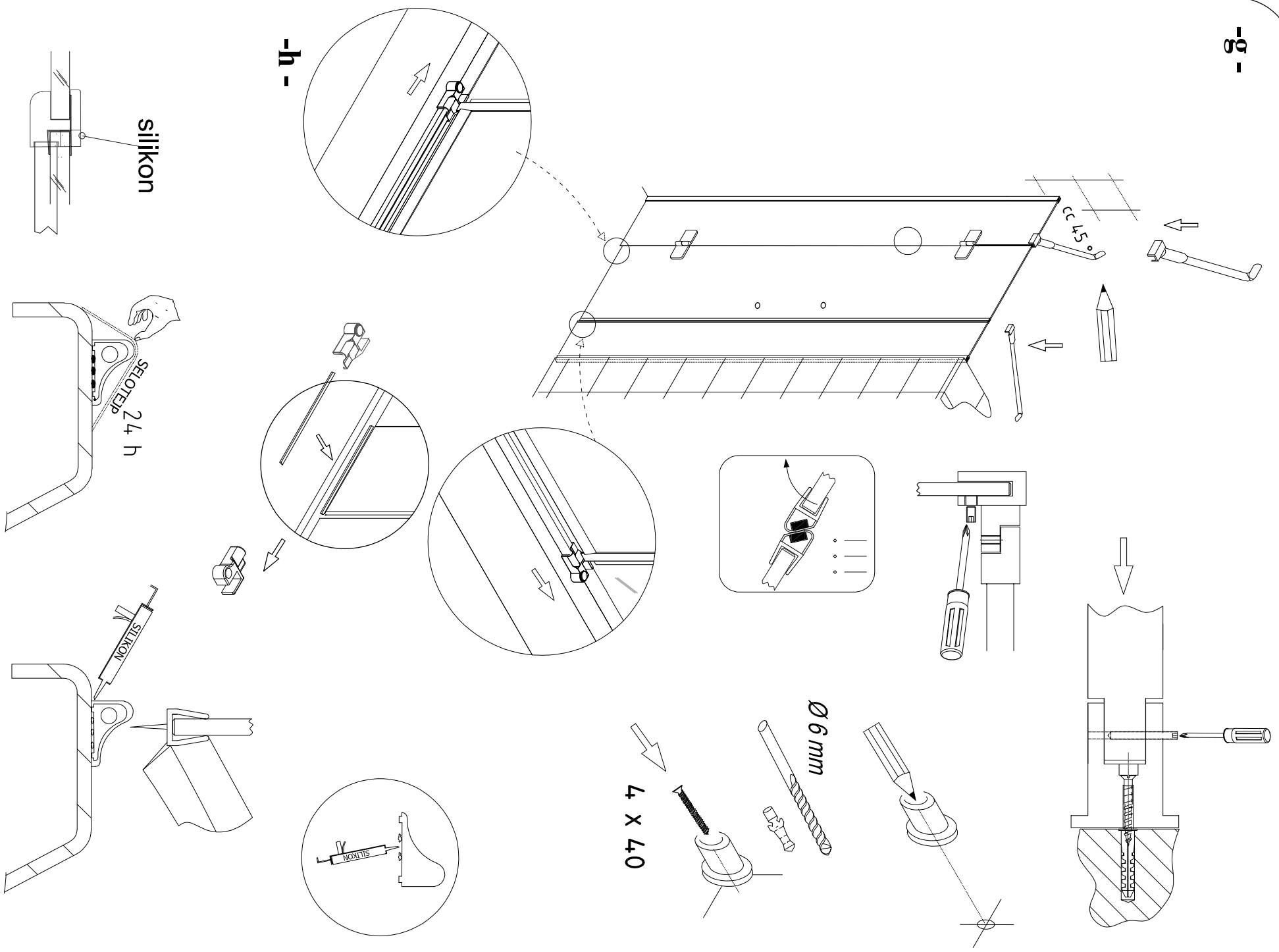


3 x 3,9 x 13



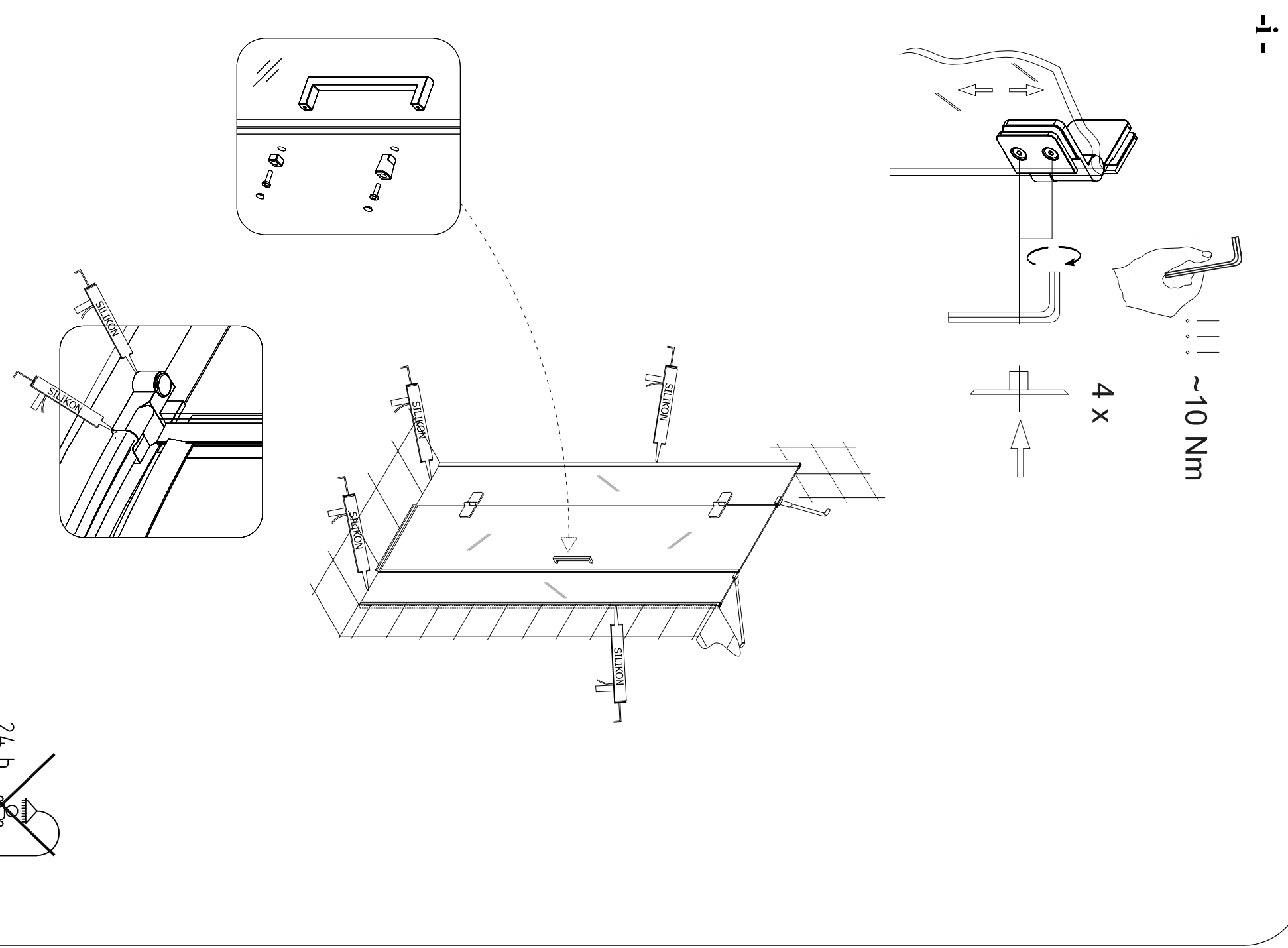
-4-

-g-



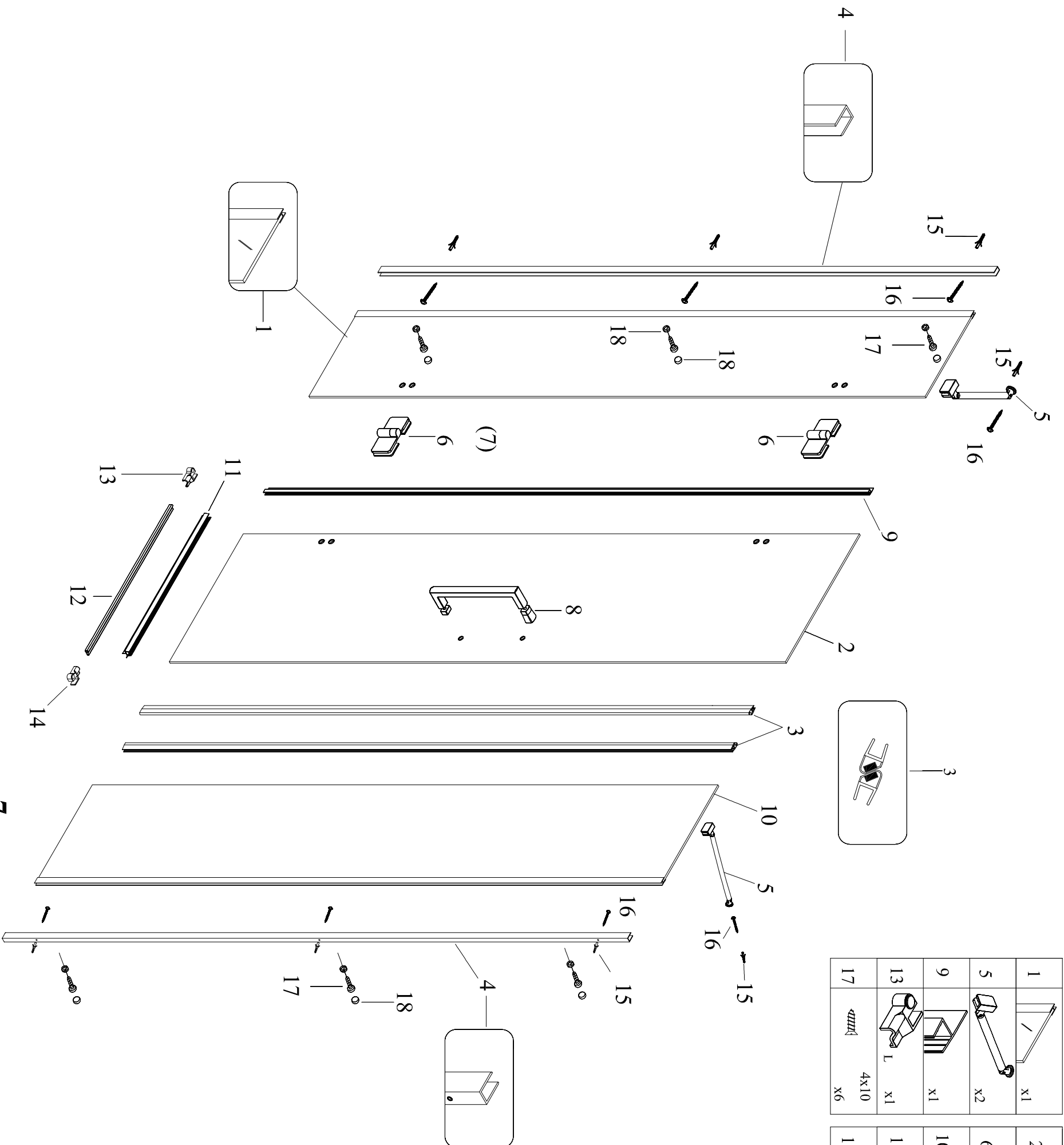
-5-

-i-



-6-

T/S 120/L ATLAS



1		x1
5		x2
9		x1
13		x1
17		x6

2		x1
6		x2
10		x1
14		x1
18		x6

3		x2
7		x2
11		x1
15		x8

4		x2
8		x1
12		x1
16		x8