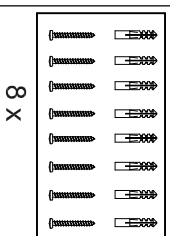
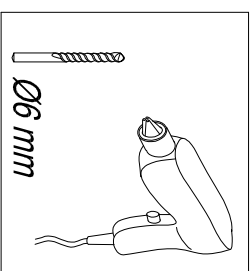
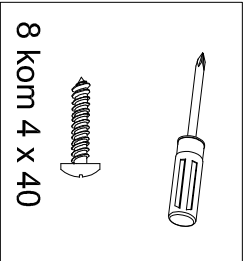
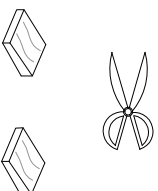
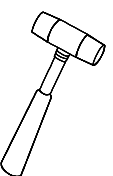
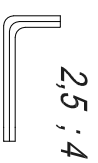
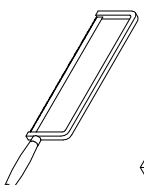
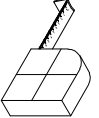
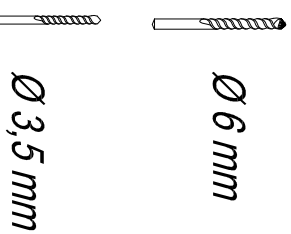
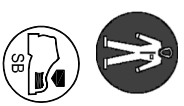
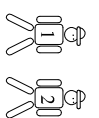
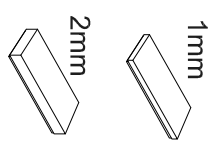
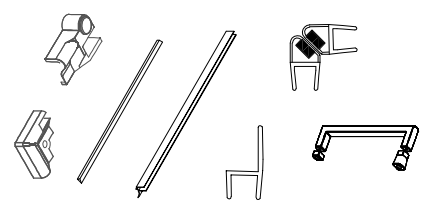
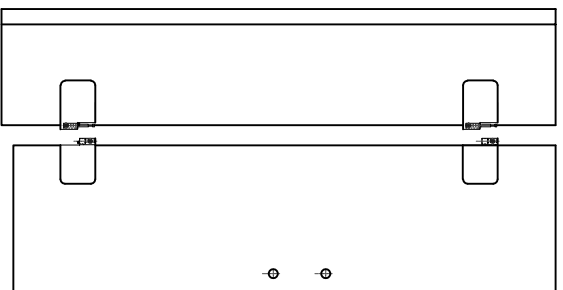
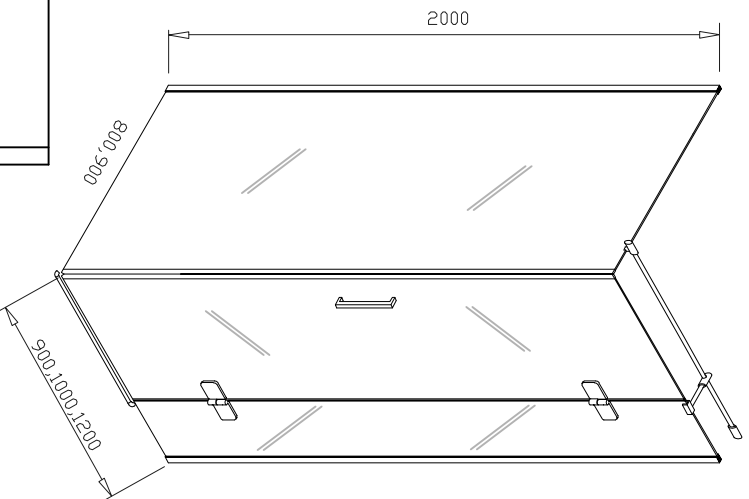
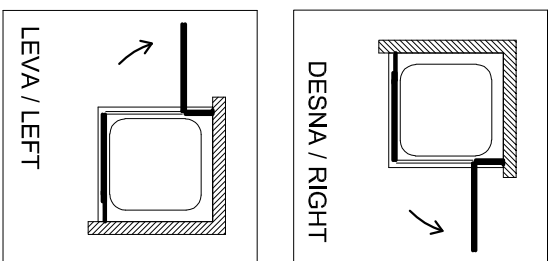
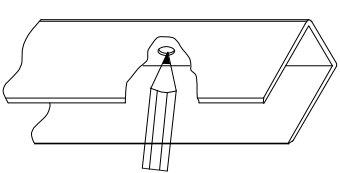
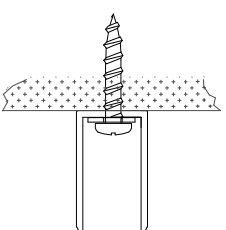


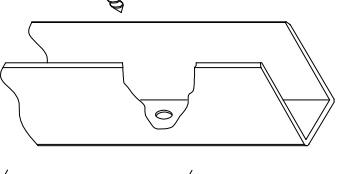
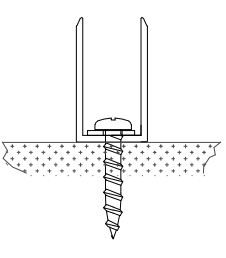
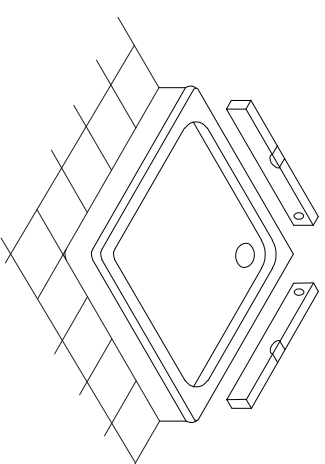
TV 90,100,120 x 80	780-790	2000	530/570	
TV 90,100,120 x 90	880-890	2000	530/570	



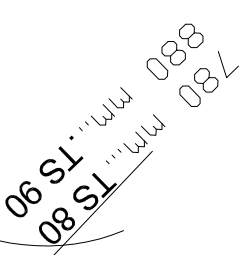
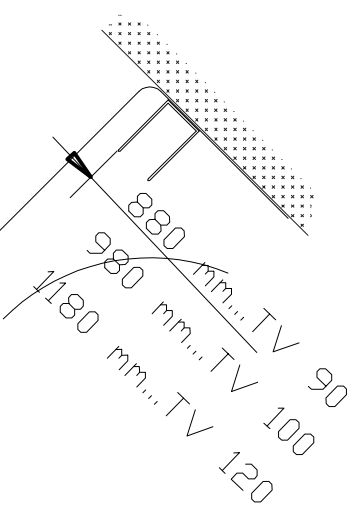
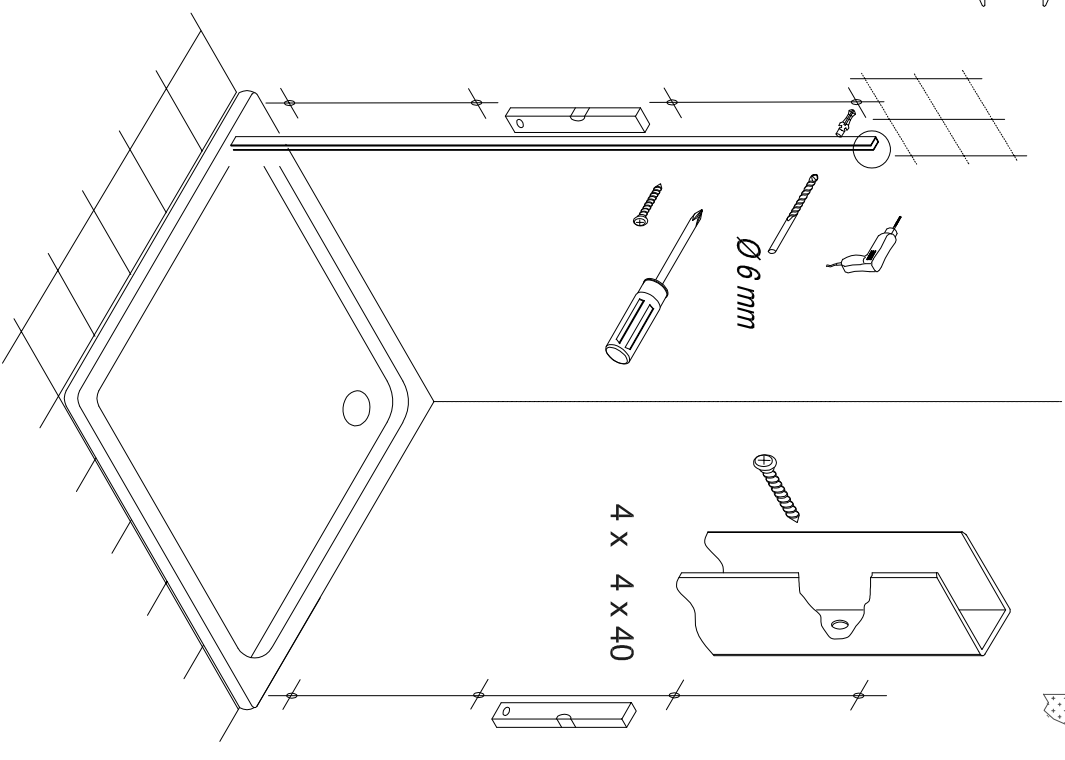
-2-



4 x 4 x 40



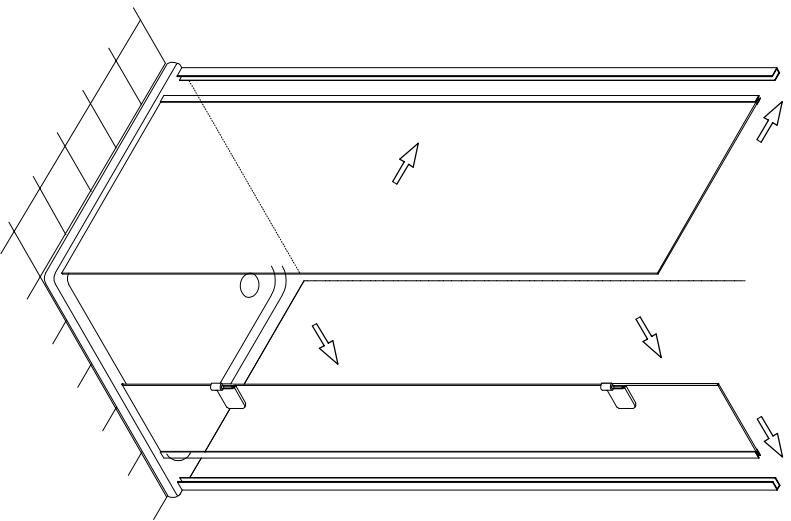
4 x 4 x 40



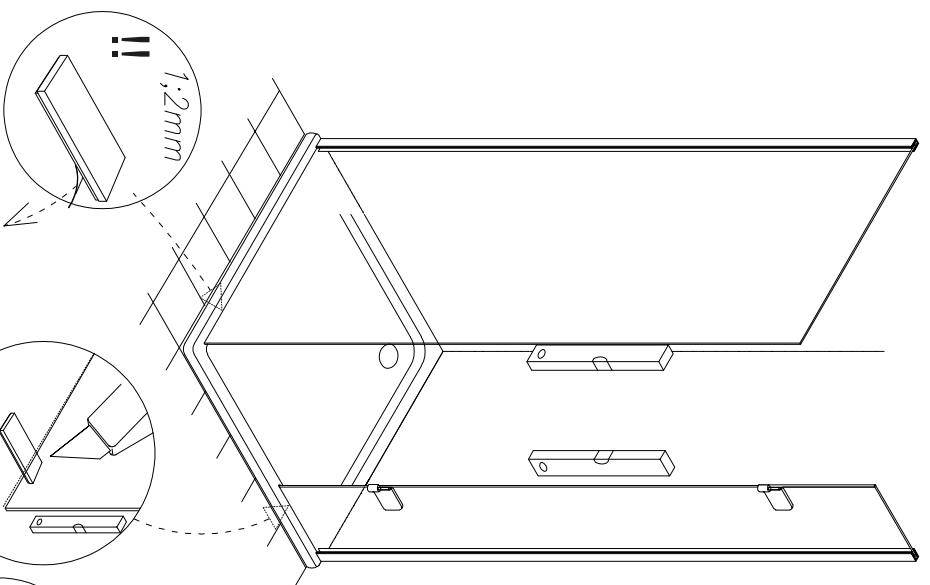
-1-

-2-

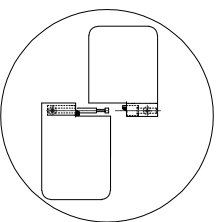
-b-



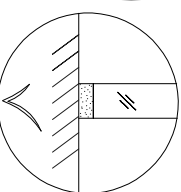
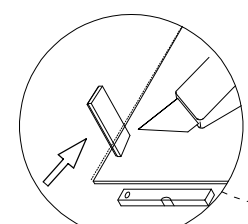
-c-



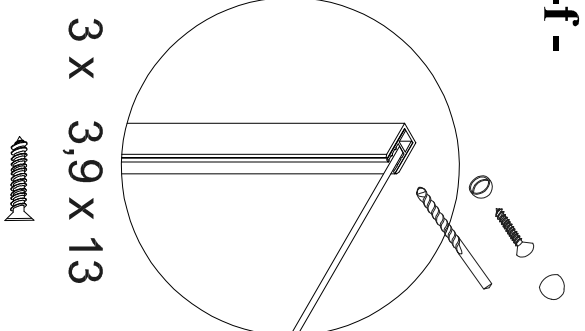
-d-



-e-

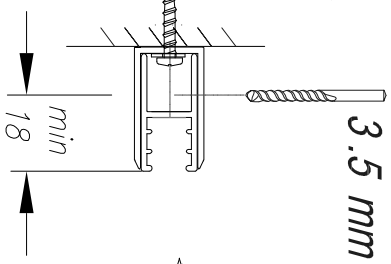


-f-



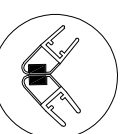
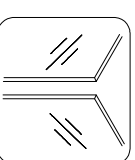
3 x 3,9 x 13

3.5 mm

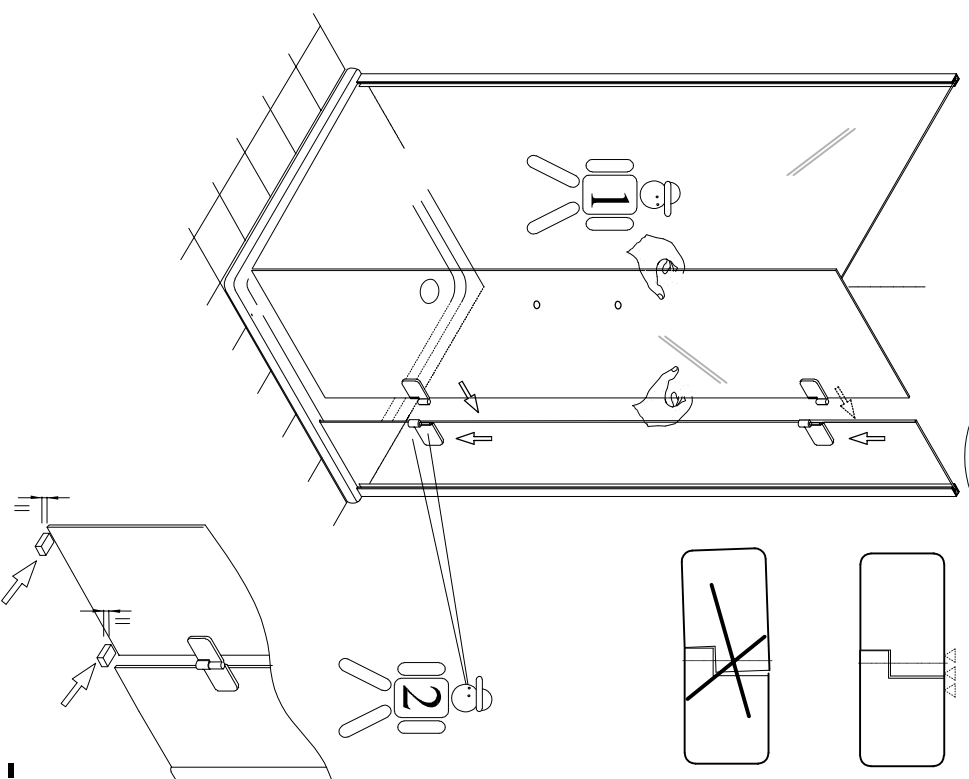
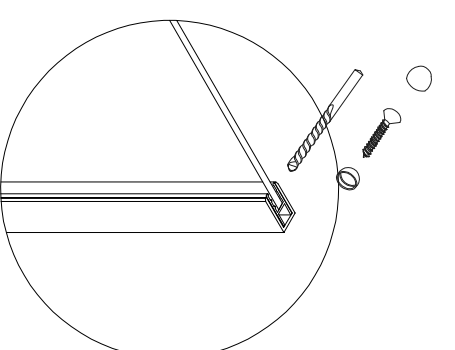


min 18

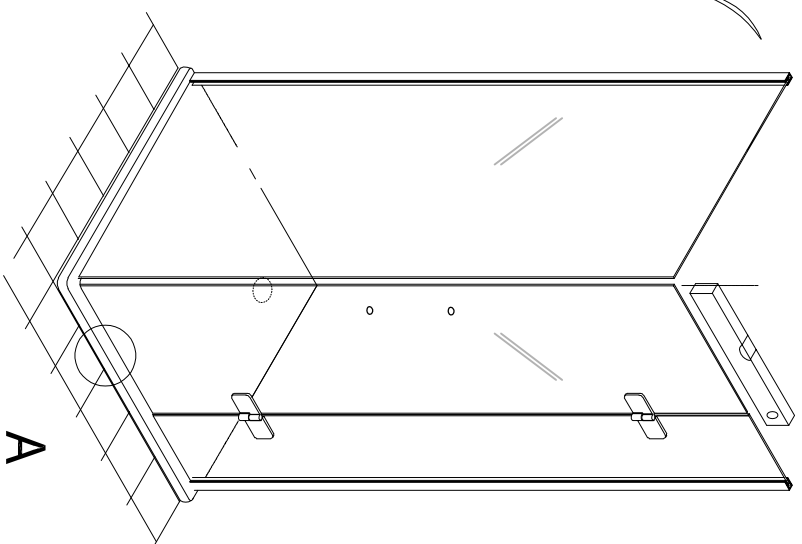
...



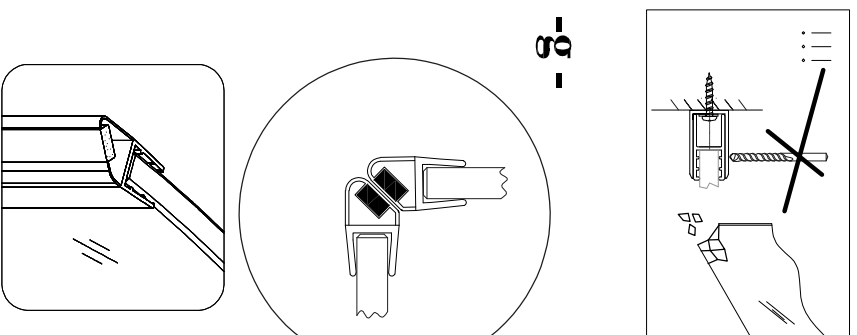
3 x 3,9 x 13



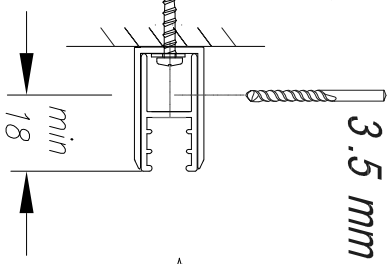
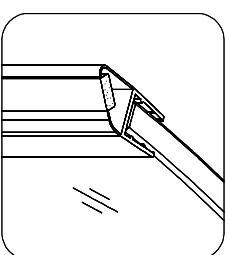
-3-



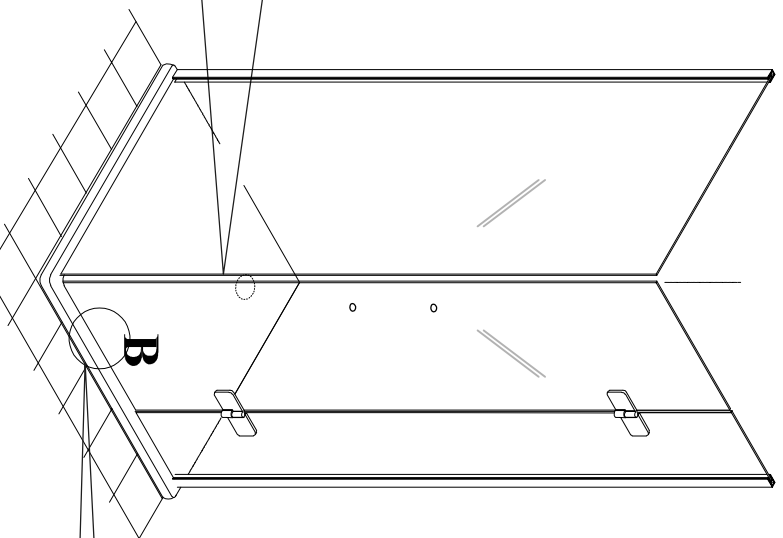
A



-g-

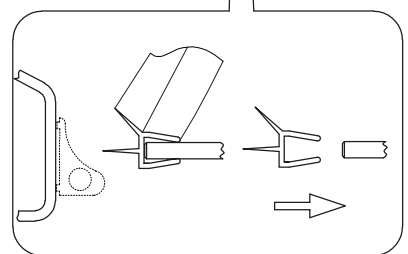
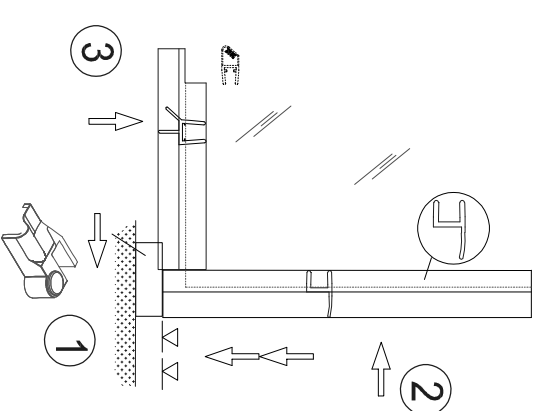


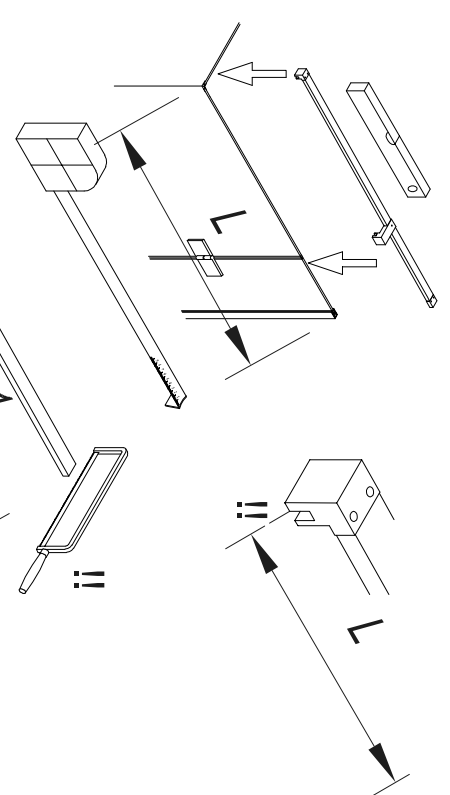
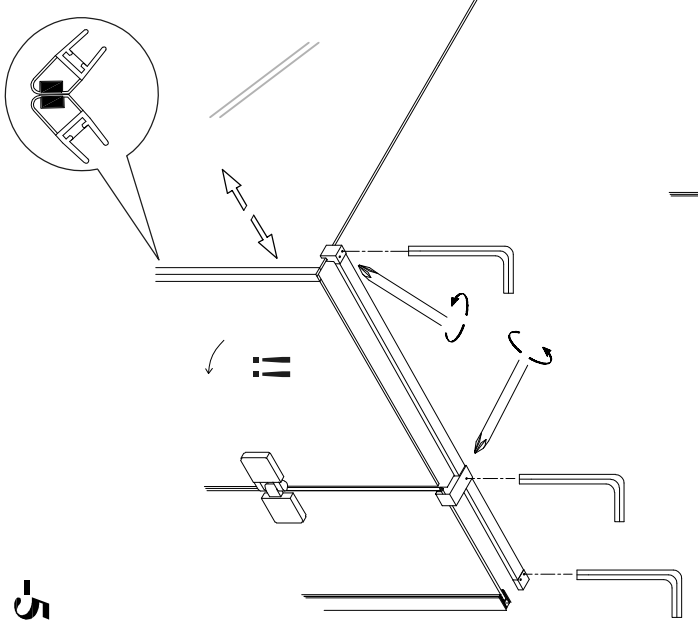
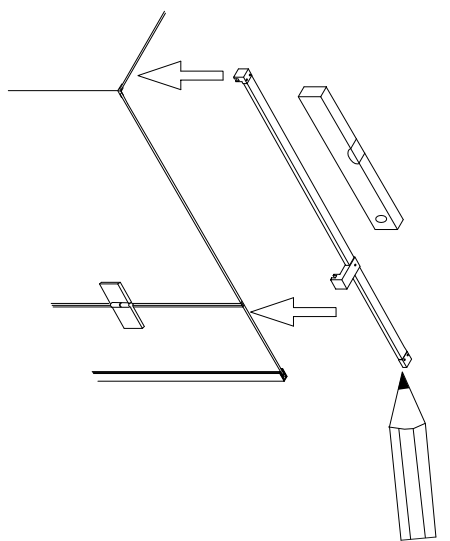
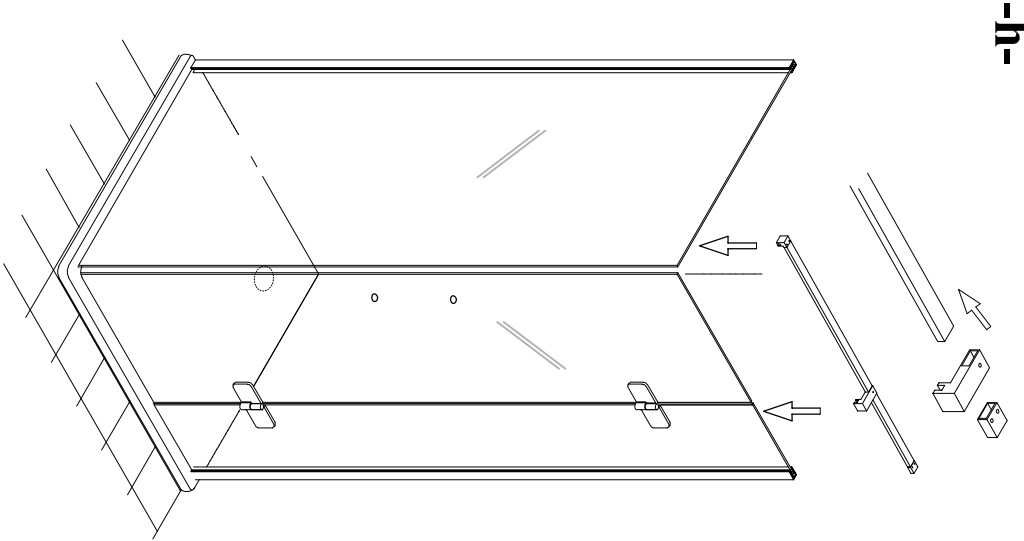
min 18



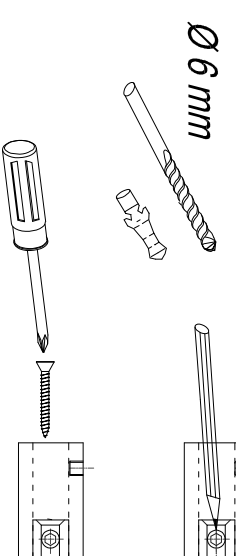
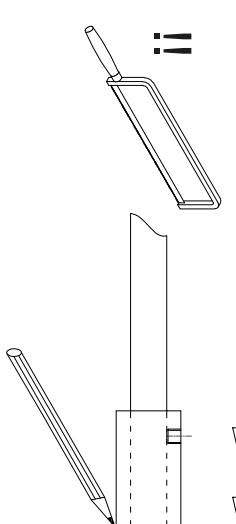
B

-4-

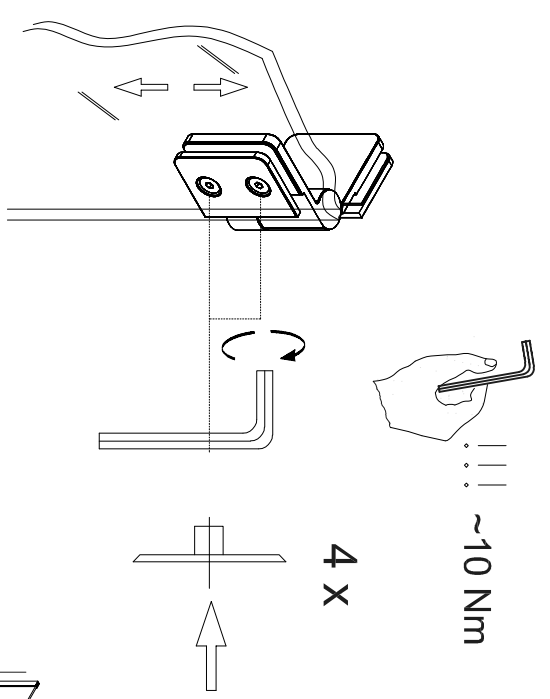
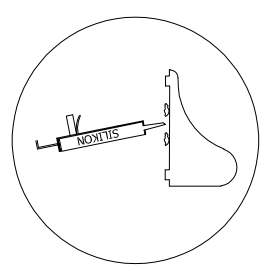
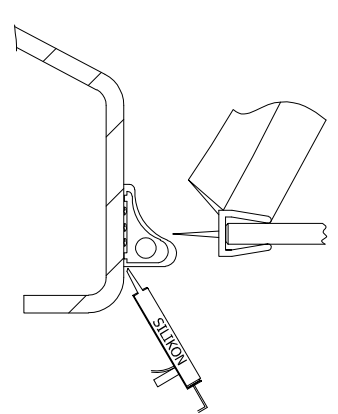
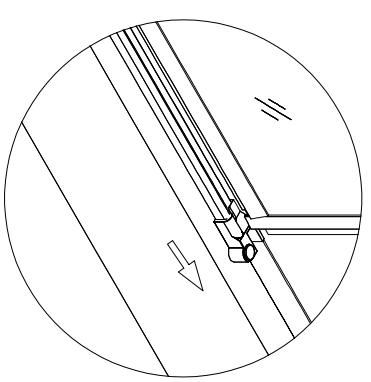
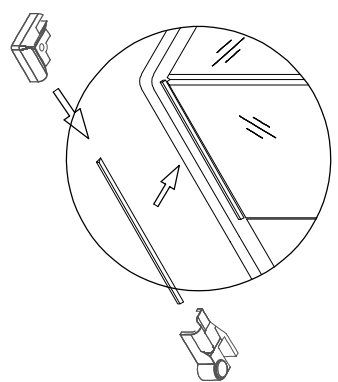
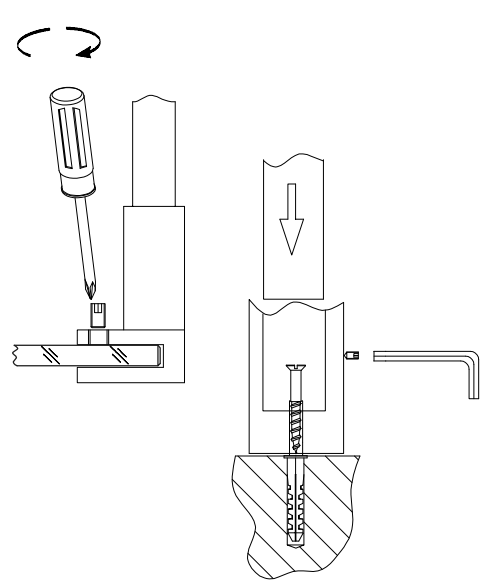




L1 = L - 21 MM

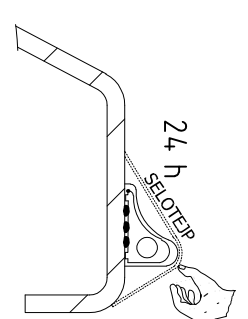
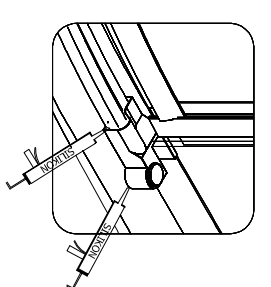


Ø 6 mm



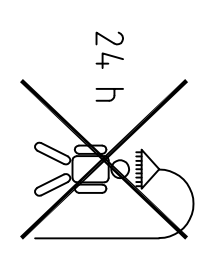
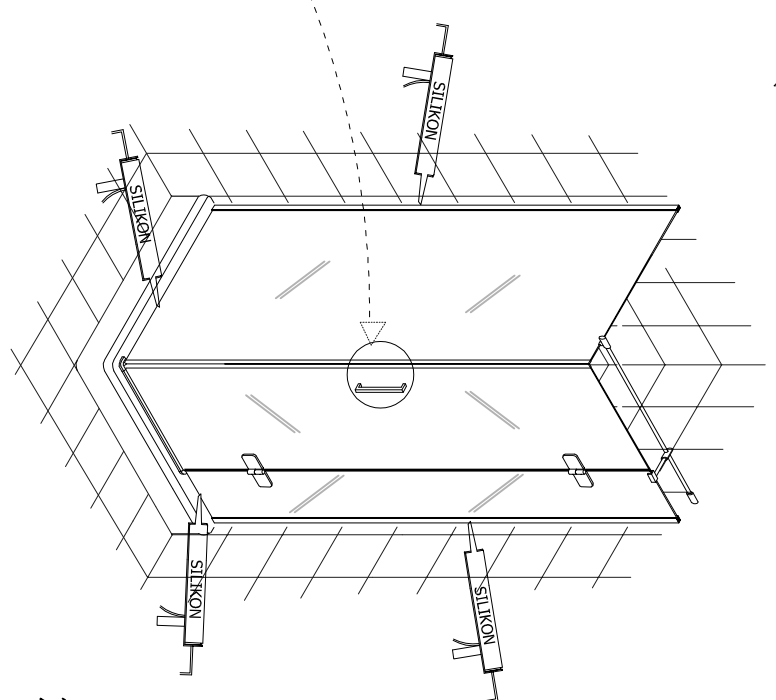
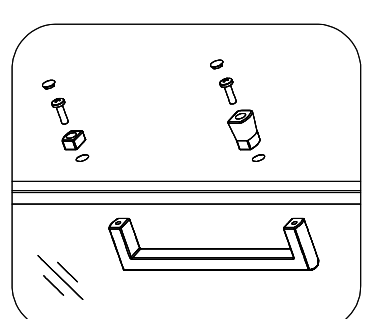
~10 Nm

4 X



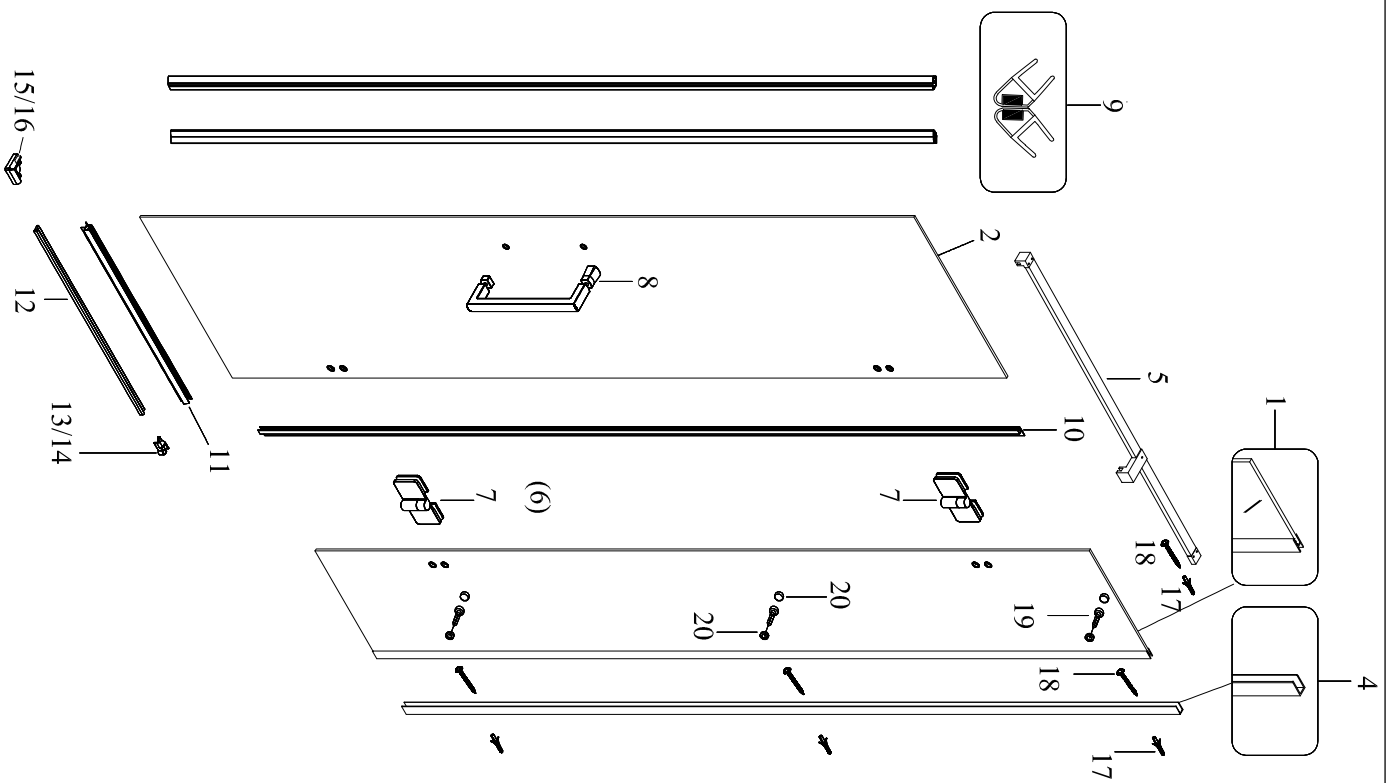
24 h

SELOTER



24 h

TV/D ATLAS



1	x1	
2	x1	
3	x1	
4	x2	
5	x1	
6	x2	
7	x2	
8	x1	
9	x2	
10	x1	
11	x1	
12	x1	
13	x1	
14	x1	
15	x1	
16	x1	
17	x8	
18	4x30	
19	4x10	
20	x6	

TSV ATLAS

